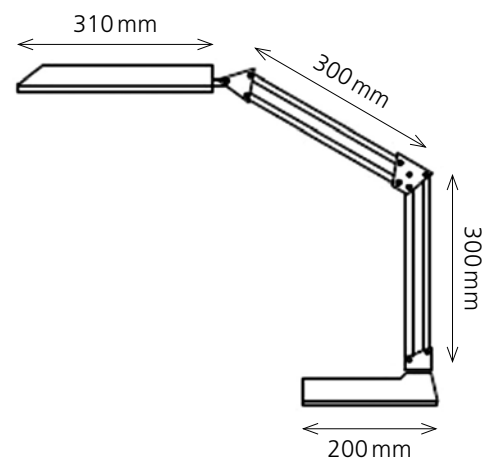


Ecostar


- Classic fluorescent desk lamp with a large extension
- Excellent illumination with a small power consumption
- The integrated electronic ballast in the lamp head gives a flicker-free light from the beginning, saves energy and extends the life time of the tube
- Supplied with base and clamp



Technical data:

Type of bulb:	fluorescent tube PL-11 W
Voltage:	220 – 240 V
Luminous flux:	694 Lumen
Colour temperature:	6400 Kelvin (daylight white)
Maximum illuminance:	906 Lux (measured 50 cm off table surface)
Life time:	5000 hours
Extension:	max. 820 mm
Height:	max. 705 mm
Base:	200 mm length x 140 mm width x 50 mm height
Head of lamp:	310 mm length x 80 mm width
Net weight:	2.24 kg
Material:	ABS, aluminium
Packaging:	4-coloured sales packaging

Item number: **h5010090 black**
 h5010099 silver

 This luminaire is compatible with bulbs of the energy classes:

~~X++~~

A+

A


B

C


D

E

}



The luminaire is sold with a bulb of the energy class: **A**

874/2012 

(D) Energiesparleuchtmittel PL-11 W

Bemessungs- / Nennleistungsaufnahme	11 Watt
Spannung	220 – 240 V
Fassung	G23
Bemessungs- / Nennlichtstrom	694 Lumen
Bemessungs- / Nennlebensdauer	5000 h
Farbtemperatur	6400 Kelvin
Farbwiedergabeindex	80
Anzahl Schaltzyklen	10 000
Anlaufzeit (60% des vollen Lichtstroms)	1 s
Zündzeit	< 1 s
Elektrischer Leistungsfaktor	0.69
Lampenlichtstromerhalt am Ende der Nennlebensdauer	70%
Dimmbar	nein
Quecksilbergehalt (Hg)	< 2.5 mg
Länge x Durchmesser	232 x 30 mm

(E) Fluorescent bulb PL-11 W

Rated / nominal lamp power	11 Watt
Voltage	220 – 240 V
Socket	G23
Rated / nominal luminous flux	694 Lumen
Rated / nominal life time	5000 h
Colour temperature	6400 Kelvin
Colour rendering	80
Number of switching cycles	10 000
Warm-up time (60% of the full light output)	1 s
Starting time	< 1 s
Power factor	0.69
Lumen maintenance factor at the end of the nominal life	70%
Dimmable	no
Mercury content (Hg)	< 2.5 mg
Length x diameter	232 x 30 mm

(F) Ampoule fluorescente PL-11 W

Puissance assignée / nominale	11 Watt
Voltage	220 – 240 V
Culot	G23
Flux lumineux assigné / nominal	694 Lumen
Durée de vie assignée / nominale	5000 h
Température de couleur	6400 Kelvin
Rendu des couleurs	80
Nombre de cycles	10 000
Temps de chauffage (60% du flux lumineux total)	1 s
Temps d'allumage	< 1 s
Facteur de puissance	0.69
Facteur de conservation du flux lumineux à la fin de la durée de vie nominale	70%
Réglable	non
Teneur en mercure (Hg)	< 2.5 mg
Longueur x diamètre	232 x 30 mm

